

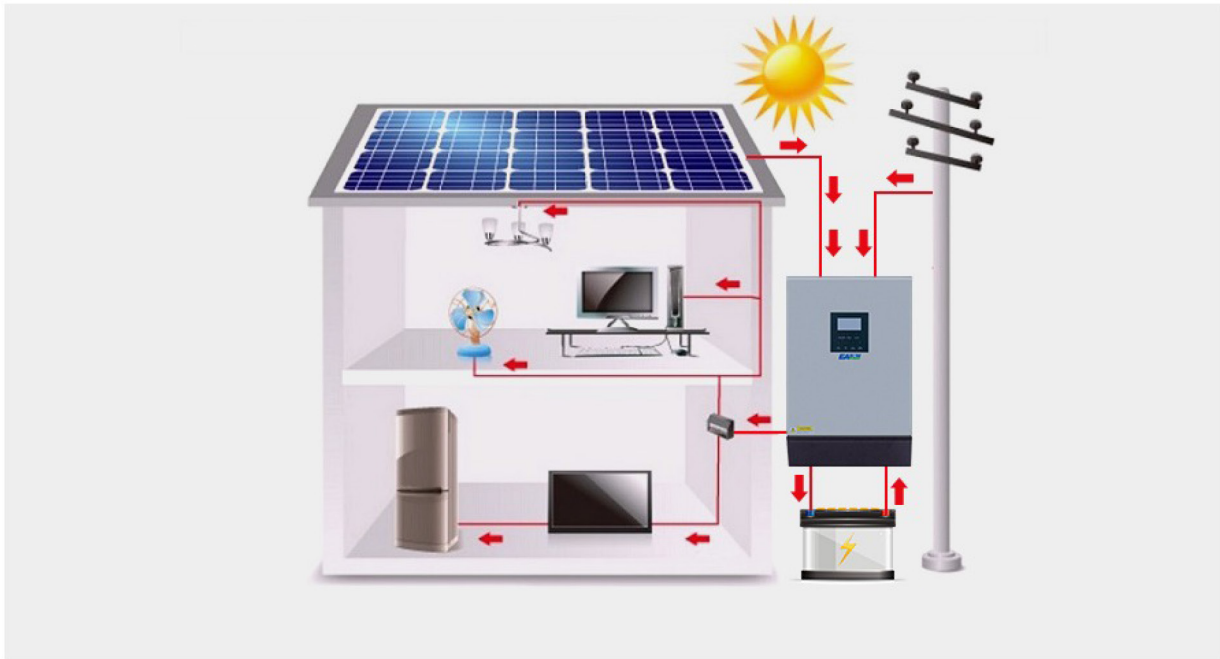


**Hybrid-Solar-Wechselrichter
4000W 48V 230V 50A
PWM-Solarregler**





PV Connection



When selecting proper PV modules, please be sure to consider below parameters:

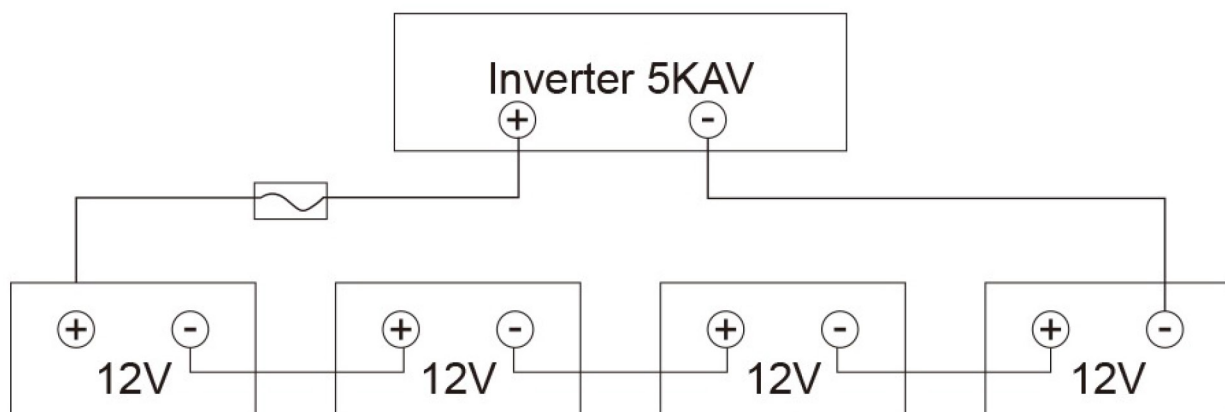
1. Open circuit Voltage (Voc) of PV modules not exceeds max. PV array open circuit voltage of inverter.
2. Open circuit Voltage (Voc) of PV modules should be higher than min. battery voltage.

INVERTER MODEL	ISolar SPL 5K	
Maximum PV Array Power	2400W	
Max. PV Array Open Circuit Voltage	90VDC	
Maximum Solar Charge Current	50A	
Maximum Power (Pmax)	200W	Max. PV module numbers in series
Max. Power Voltage Vmpp(V)	30.9V	$2 \times 30.9V \approx 60 \sim 72VDC$
Max. Power Current Impp(A)	8.42A	PV module numbers in parallel
Open Circuit Voltage Voc(V)	37.7V	$6 \times 8.42 < 50A$
Short Circuit Current Isc(A)	8.99A	Total PV module numbers
		$2 \times 6 = 12$



Battery Connection

5KVA model supports 48VDC system model and at least 200Ah capacity battery for 5KVA model.





Product Overview



LED Indicator

LED Indicator		Messages	
☀️ AC / ⚡️ INV	Green	Solid On	Output is powered by utility in Line mode.
		Flashing	Output is powered by battery or PV in battery mode.
☀️ CHG	Green	Solid On	Battery is fully charged.
		Flashing	Battery is charging.
⚠️ FAULT	Red	Solid On	Fault occurs in the inverter.
		Flashing	Warning condition occurs in the inverter.

Function Keys

Function Key	Description
ESC	To exit setting mode
UP	To go to previous selection
DOWN	To go to next selection
ENTER	To confirm the selection in setting mode or enter setting mode





Max PV Input
90VDC



Max Output Power
4000W, Pure Sine Wave



Battery Voltage
48VDC



Genset Starter
Yes, Dry Contact



Output Voltage
230 VAC



Solar Charge Current
50A



Parallel Support
Non Available



AC Charge Current
60A



Communication
USB, RS232

MODELL	Solar SPL 5K
Nennleistung	5000VA/4000W
EINGANG	
Spannung	230VAC
Wählbar Spannung Palette	170-280 VAC (Für Persongl Computer) ; 90-280 VAC (Für Haushaltsgeräte)
Frequenz Bereich	50Hz/60Hz (Auto sensig)
AUSGANG	
AC Spannung Verordnung (Batt. Modus)	230VAC ± 5%
Sutge Power	10000VA
Effizienz (Peak)	93%
Transfer Zeit	10 ms (Für Persönliche Computer) ; 20 ms (Für haushaltsgeräte)
Wellenform	Reine sinus welle
BATTERIE & AC LADEGERÄT	
Batterie Spannung	48 VDC
Floating Charge Spannung	54 VDC
Überladung Schutz	60 VDC
Maximale Ladestrom	60A
SOLAR LADEGERÄT (OPTION)	
Ladestrom	50A
Maximale PV-Array Power	2400W
Maximale PV-Array Open Spannung	105 VDC
Standby Power Consumptio	2 W
PHYSIKALISCHE	
Dimension, D×W×H (mm)	128 × 272 × 355
Net Gewicht (kg)	9,8